



## SECTION 2.2\_KSBBFH/BSFH

# PRESSURE VACUUM RELIEF VALVE WITH FLAME ARRESTER

### INTRODUCTION

**The model KSBBFH and BSFH** pressure vacuum valves with flame arrester are an advanced design for vent to atmosphere applications. Designed, manufactured and tested according to the API 2000 code, BS7244, and EN12874. These valves utilize the latest technologies to provide protection against positive or vacuum over pressure and prevent air intake, evaporative losses of product and help to contain odorous and potentially explosive vapors.

### Setting Pressure

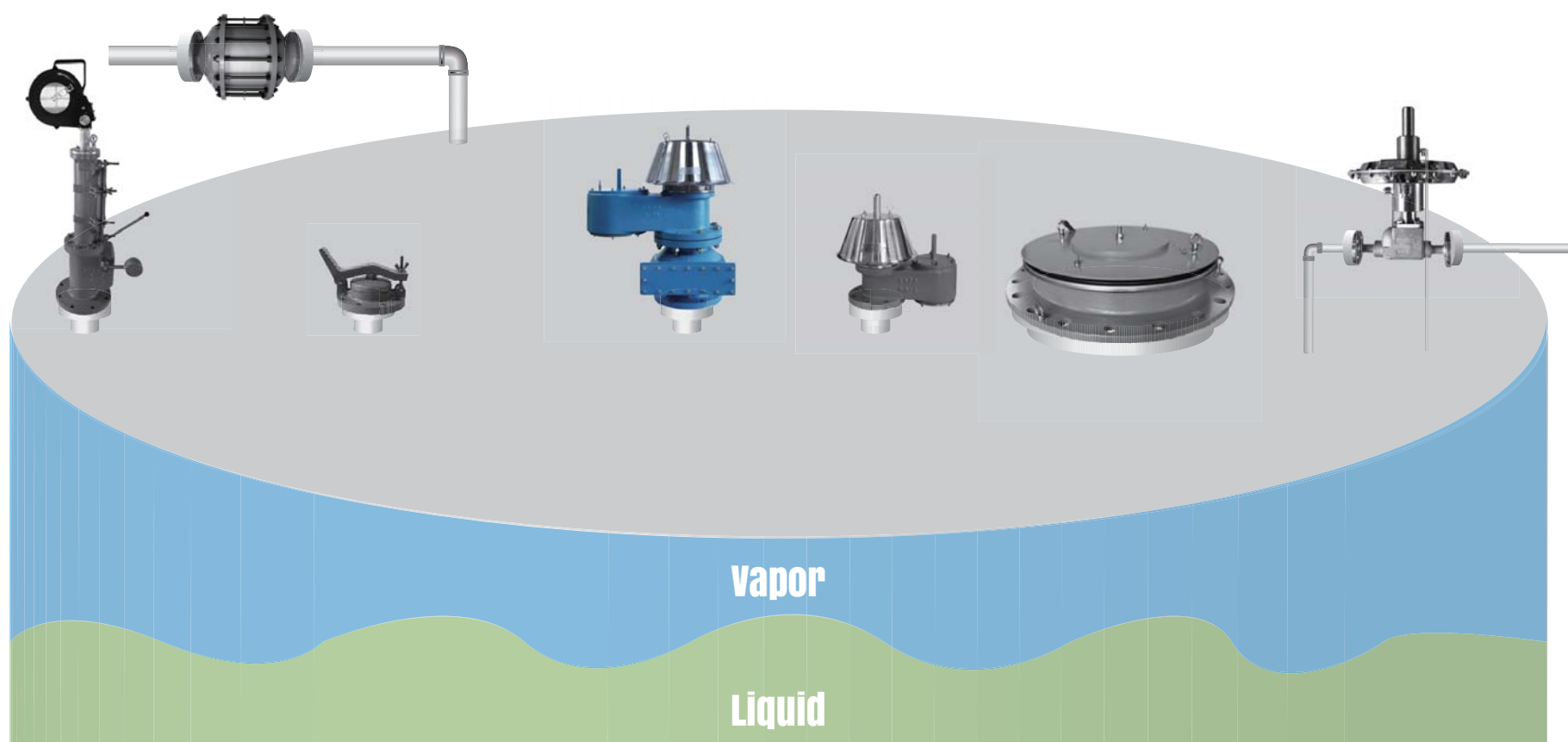
KSBBFH Weight Loaded model	Min. +/- 20 mmW.C ~ Max. + 700/- 430 mmW.C
KSBSFH Spring Loaded model	Min. + 700/- 430 mmW.C ~ Max. +/- 9,000 mmW.C

**Body Materials** Aluminium, Carbon Steel, SS304 and SS316 with various trims  
(Different materials available on request)

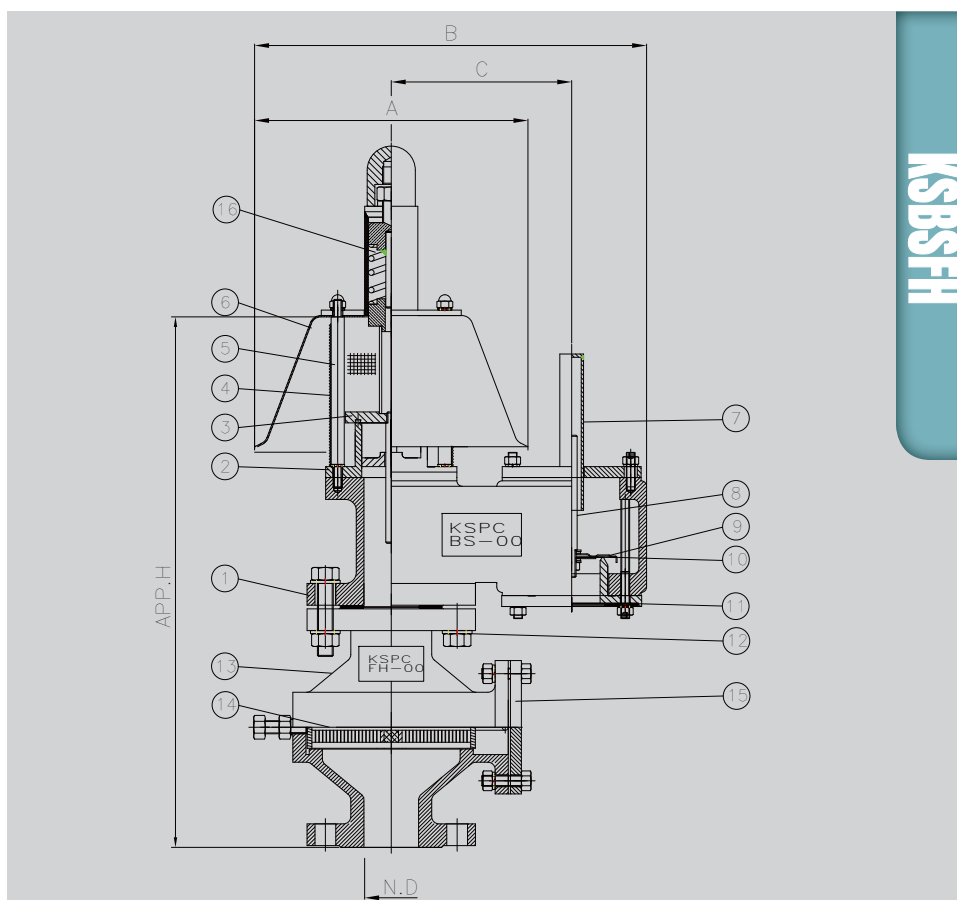
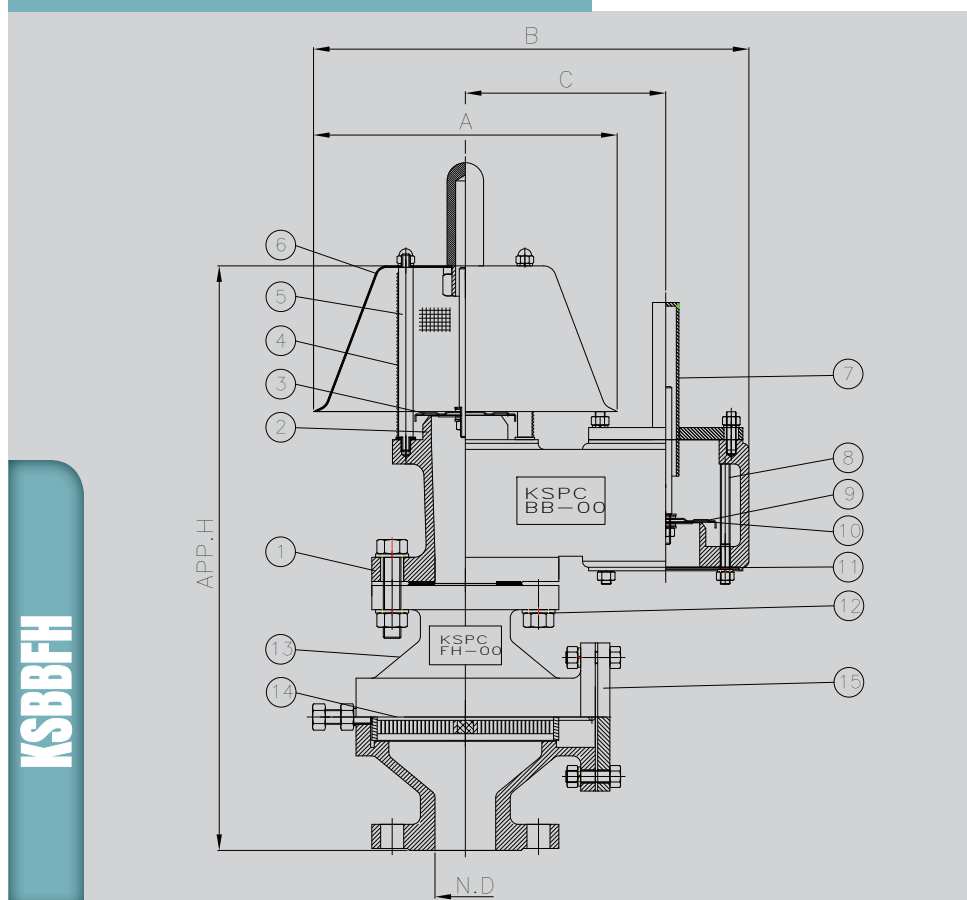
**sizes range** DN 50 ~ DN 350 with ANSI 150lb flanges as standard  
(Different connections available on request)

**Rules & certifications** API 2000, BS7244, EN12874 & FM factory mutual approval  
Flame cell : NEC group D or IEC IIA Gases (Other gas groups available as additional extras)

### APPLICATION



## OUTLINE DRAWING



## DIMENSION TABLE

SIZE	2"	3"	4"	6"	8"	10"	12"	14"
N.D	50	80	100	150	200	250	300	350
A	250	294	324	440	476	544	620	685
B	359	446	485	627	742	861	978	1125
C	165	206	230	283	348	406	466	542
Approx. H	485	544	589	692	754	863	928	1132

**NOTE** Standard Connection(ANSI 150LB flange) and JIS or different types are available upon request.

## COMPONENT MATERIAL

ITEM NO	COMPONENT	BODY	ALUMINIUM	C.S	SS304	SS316
		TRIM	SS304	SS304	SS304	SS316L
1	BODY		B26-319.F	A216-WCB	A351-CF8	A351-CF8M
2	SEAT		B26-319.F	A351-CF8	A351-CF8	A351-CF8M
3	PRESSURE DISC		SS304	SS304	SS304	SS316L
4	BIRD SCREEN		SS304	SS304	SS304	SS316L
5	PRESSURE GUIDE POST		SS304	SS304	SS304	SS316L
6	WEATHER HOOD		SS304	SS304	SS304	SS316L
7	VACUUM COVER		B26-319.F	C.S	SS304	SS316L
8	VACUUM GUIDE POST		SS304	SS304	SS304	SS316L
9	VACUUM DISC		SS304	SS304		SS316L
10	DIAPHRAGM		TEFLON			
11	VACUUM SCREEN		SS304	SS304	SS304	SS316L
12	BOLT/NUT		A193-B7 / A194-2H OR SS			
13	BODY-2		B26-319.F	A216-WCB	A351-CF8	A351-CF8M
13.1	PALLET WEIGHT		COATED CS / SS			
14	ELEMENT		SS316L			
15	SPRING		SS304	SS304	SS304	SS316L

KSBFBH

KSBSFH

Section 2.2  
KSBFBH/BSFH