




SECTION 4.5_KSEVK

HINGED EMERGENCY VENT COVER PRESSURE VACUUM RELIEF


INTRODUCTION

 **The model KSEVK** is designed to provide emergency pressure vacuum relief for storage tanks when exposed to over pressures and over vacuum that are not handled by standard tank vents. These vents provide the capacity to meet API standard 2000 for emergency venting due to fire exposure when properly sized. These covers can also be easily lifted open, providing a large, unobstructed passage for rapid entry and quick easy access to the tank for tank inspection and maintenance.

Setting Pressure

KSEVK Permanent Setting	Min. + 50/ - 25 mmW.C ~ Max. + 700/ - 700 mmW.C
-------------------------	---

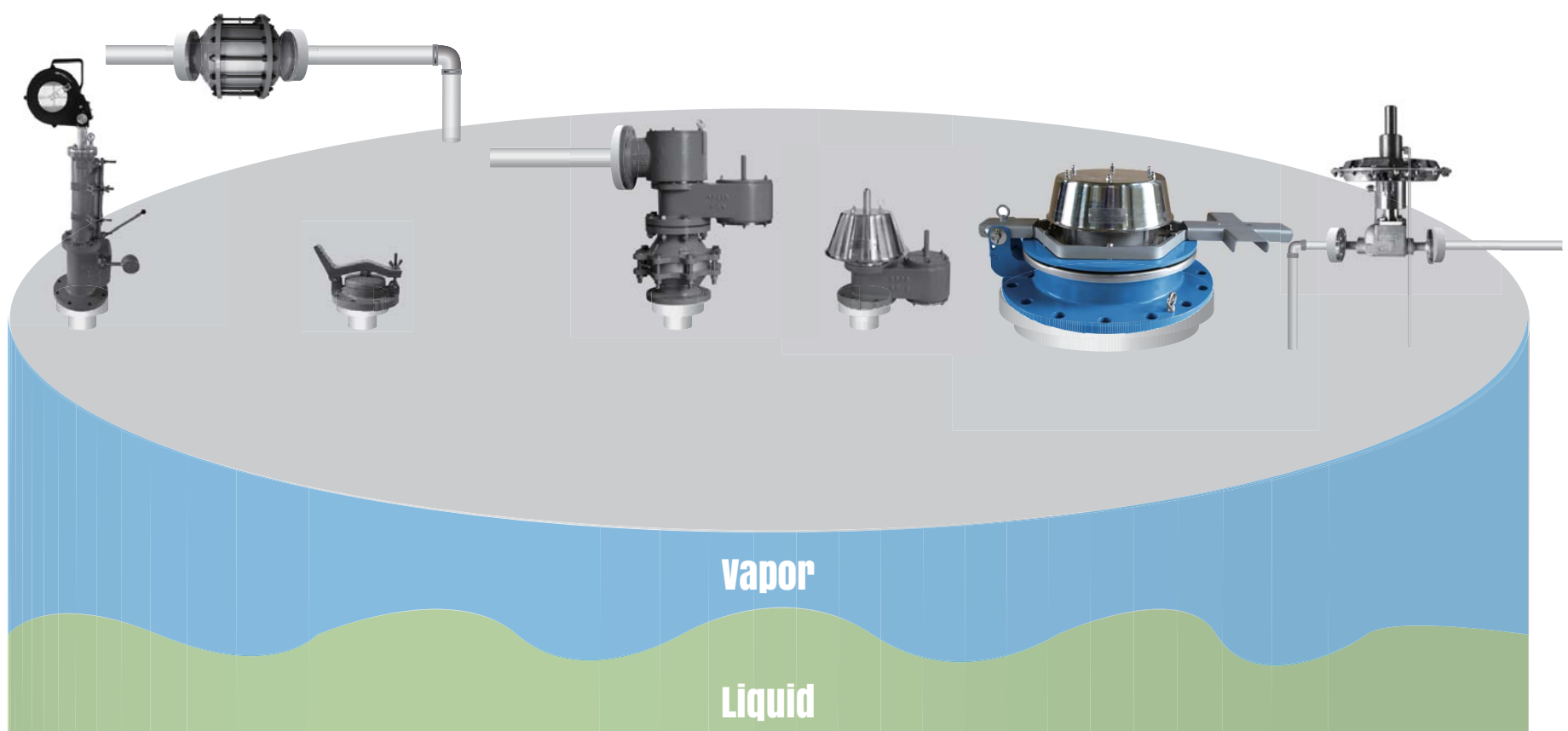
 **Body Materials** Aluminium, Carbon Steel, SS304 and SS316 with various trims
(Different materials available on request)

 **sizes range** DN 400, 450, 500 and DN 600 with ANSI 150lb or API 650 flanges
(Different connections available on request)

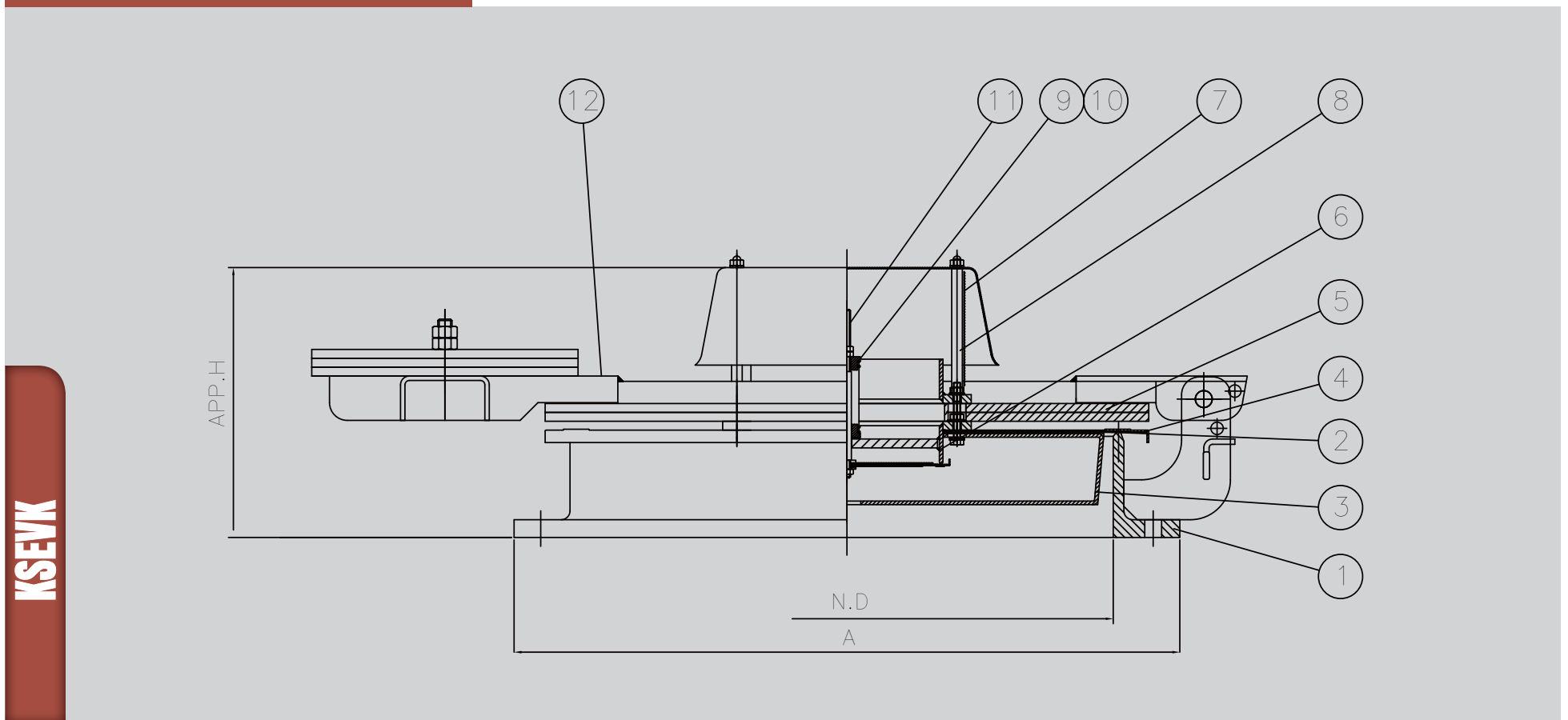
 **Rules & certifications** API 2000

 **Optimum / optional Design & Arrangments** Stem Jacket type, Steam Tracing type, Proximity type, Teflon Coating/Lining type

APPLICATION



OUTLINE DRAWING



DIMENSION TABLE

SIZE		16"	18"	20"	24"
N.D		400	450	500	600
A	API 650	597	635	660	762
	ANSI 150#	597	635	700	815
Approx. H	MIN.	350	375	400	450
	MAX.	420	445	470	520

NOTE CERTIFIED DIMENSIONS AVAILABLE UPON REQUEST (STD : API650).

COMPONENT MATERIAL

ITEM NO	COMPONENT	BODY	ALUMINIUM	C.S	SS304	SS316
		TRIM	SS304	SS304	SS304	SS316L
1	BODY		B26-319.F	A216-WCB	A351-CF8	A351-CF8M
2	DISC & PLATE		SS304	SS304	SS304	SS316L
3	GUIDE		SS304	SS304	SS304	SS316L
4	DIAPHRAGM		TEFLON			
5	LOADING WEIGHT		C.S			
6	VACUUM DISC & SEAT		SS304	SS304	SS304	SS316L
7	SCREEN		SS304	SS304	SS304	SS316L
8	VACUUM COVER SUPPORT		SS304	SS304	SS304	SS316L
9	SPRING		SS304	SS304	SS304	SS316L
10	SPRING GUIDE		SS304	SS304	SS304	SS316L
11	VACUUM STEM		SS304	SS304	SS304	SS316L
12	HINGE		C.S	C.S	SS304	SS304

NOTE AL – Aluminium, C.S – Carbon Steel, S.S – Stainless Steel